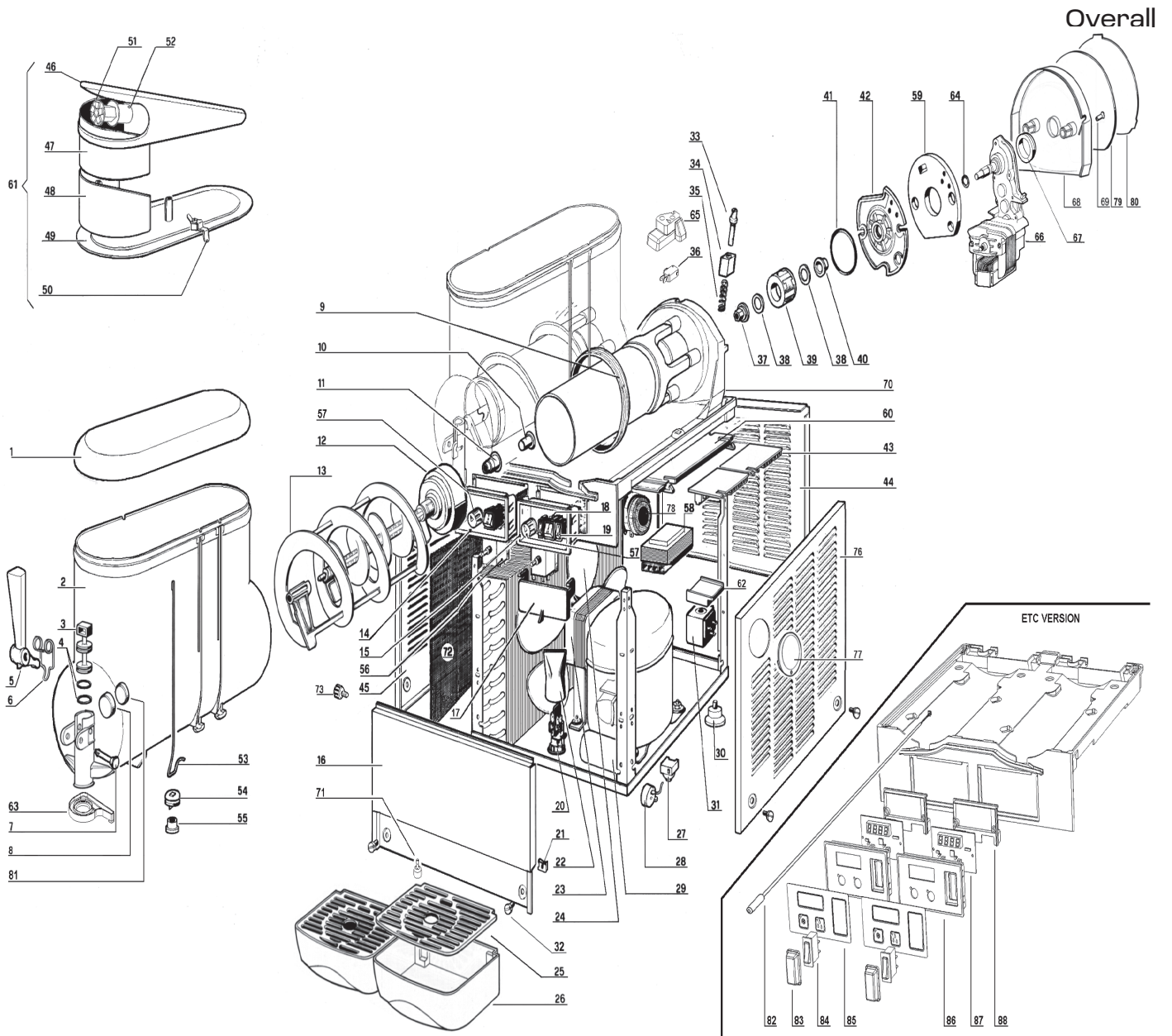


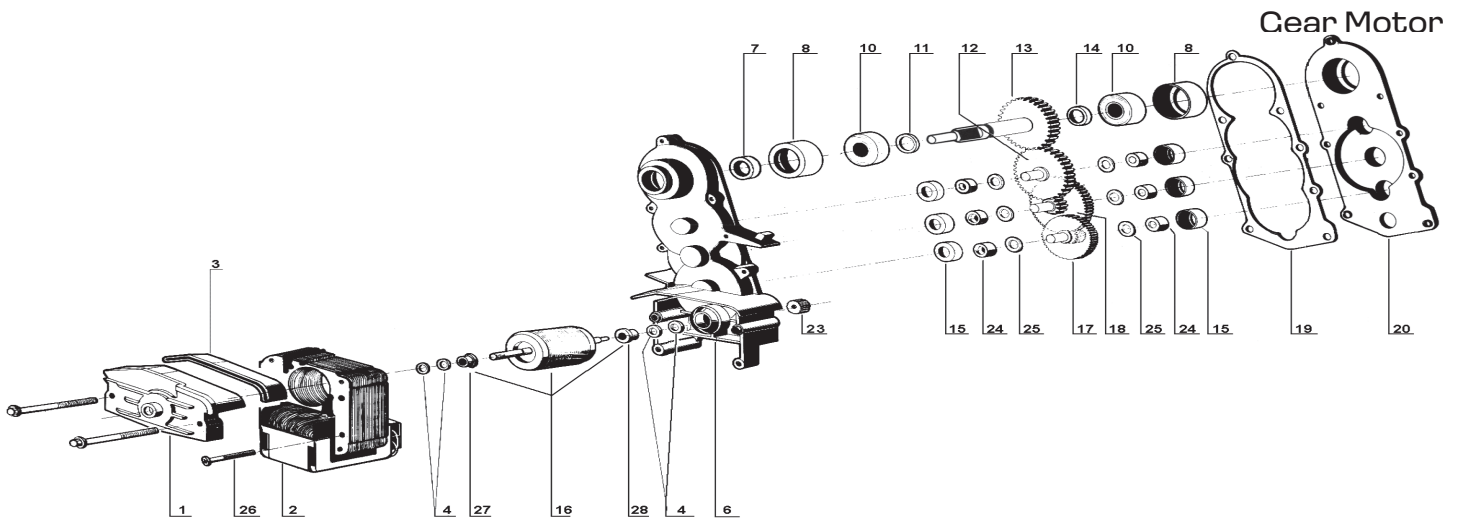
PARTS BREAKDOWN

ITEM	MODEL
49081	DI-IT-0010-MT1



PARTS BREAKDOWN

ITEM	MODEL
49081	DI-IT-0010-MT1



PARTS BREAKDOWN

ITEM	MODEL
49081	DI-IT-0010-MT1

Overall

Item No.	Description	Position	Item No.	Description	Position	Item No.	Description	Position
AS471	Transparent Cover for 49081	1	AS480	Drip Tray for 49081	26	AS416	Fixing Ring for 49081	55
AS472	Bowl for 49081	2	AS392	Rubber Leg for 49081	30	AS417	Thermostat for 49081	56
AS369	Faucet Piston for 49081	3	AS394	Stainless Steel Fixing Screw for Panel for 49081	32	AS418	Thermostat Knob for 49081	57
AS370	Faucet Piston OR for 49081	4	AS395	Density Adjustment Screw for 49081	33	AS490	Transformer for 49081	58
AS473	Faucet Handle for 49081	5	AS396	Shaped Nut for 49081	34	AS420	Insulation Foam for 49081	59
AS368	Faucet Handle Spring for 49081	6	AS397	Spring for 49081	35	AS491	PWB Housing for 49081	60
AS371	Faucet Handle Pin for 49081	7	AS398	Microswitch for 49081	36	AS492	Lighted Top Cover (Assy.) MT for 49081	61
AS372	Thrust Washer Rubber Cap for 49081	8	AS399	Rear Wall Rear Bushing for 49081	37	AS413	Solenoid Valve Plastic Cap for 49081	62
AS474	Bowl Gasket for 49081	9	AS400	Magnetic Drive Washer for 49081	38	AS423	Condensate Collection Seal for 49081	63
AS375	Rear Wall Front Bushing for 49081	10	AS401	Magnetic Drive for 49081	39	AS424	Central Shaft OR for 49081	64
AS376	Auger Bushing for 49081	11	AS402	Flange Bushing for 49081	40	AS493	Micro-Switch Protection for 49081	65
AS377	Auger for 49081	12	AS403	Flange OR 3231 for 49081	41	AS494	Gear Motor for 49081	66
AS475	Outer Spiral for 49081	13	AS404	Gear Motor Flange for 49081	42	AS426	Rear Bushing for 49081	67
AS379	Switch Box for 49081	14	AS481	MT Delay Electronic Device for 49081	43	AS495	Rear Cover for 49081	68
AS380	Power Switch Box for 49081	15	AS482	Back Panel for 49081	44	AS496	Black Rear Cover Fixing Screw for 49081	69
AS476	Dispensing Side Panel for 49081	16	AS483	Side Panel for 49081	45	AS497	Complete Evaporator (White Version) for 49081	70
AS382	Switch Panel Cover for 49081	17	AS484	Lighted Top Cover (Upper) for 49081	46	AS393	Float Level for 49081	71
AS383	3-Position Switch for 49081	18	AS485	Picture for 49081	47	AS498	Condenser Filter for 49081	72
AS384	Switch for 49081	19, 84	AS486	Picture Screen for 49081	48	AS431	MT Side Panel Fixing Grey Knob for 49081	73
AS385	Terminal Block with Cable Clamp for 49081	20	AS487	Lighted Top Cover (Lower) for 49081	49	AS499	Right Side Panel for 49081	76
AS386	Clip for 49081	21	AS488	Top Cover Light Contact for 49081	50	AS432	Timer Cover for 49081	77
AS387	Terminal Block Protection for 49081	22	AS434	Bulb for 49081	51	AS422	Timer Switch for 49081	78
AS477	Fan Motor for 49081	23	AS435	Bulb Socket for 49081	52	AS500	Rear Cover Picture for 49081	79
AS478	Fan Blade for 49081	24	AS489	Light Wire for 49081	53	AS501	Rear Cover Picture Screen for 49081	80
AS479	Drip Tray Cover for 49081	25	AS415	Flexible Contact for 49081	54	AS373	Thrust Washer for 49081	81

PARTS BREAKDOWN

ITEM	MODEL
49081	DI-IT-0010-MT1

Overall

Item No.	Description	Position	Item No.	Description	Position	Item No.	Description	Position
AS502	Temperature Probe for 49081	82	AS504	Adhesive for Keyboard with Main Switch for 49081	85	AS506	Display Card for 49081	87
AS503	Switch Cap for 49081	83	AS505	Display Card Support for 49081	86	AS507	Display Card Holder Cover for 49081	88

Gear Motor

Item No.	Description	Position	Item No.	Description	Position	Item No.	Description	Position
AS515	Bracket with Bush for 49081	1	AS455	1.5mm Spacer for 49081	11	AS520	Gasket for 49081	19
AS516	Stator for 49081	2	AS456	Third Gear for 49081	12	AS521	Gear Box Cover for 49081	20
AS449	Stator Protection Gasket for 49081	3	AS518	Fourth Gear for 49081	13	AS465	Pinion for 49081	23
AS450	Washer for 49081	4	AS458	3.3mm Spacer for 49081	14	AS466	Bushing for 49081	24
AS517	Gear Box with Bushing for 49081	6	AS519	Bushing Rubber Cap for 49081	15	AS467	Washer for 49081	25
AS452	Seal Retainer for 49081	7	AS460	Rotor with Spacer for 49081	16	AS468	Bracket Screw for 49081	26
AS453	Ball Bearing Rubber Cap for 49081	8	AS461	First Gear for 49081	17	AS469	Spacer (Stator Side) for 49081	27
AS454	Ball Bearing 28mm for 49081	10	AS462	Second Gear for 49081	18	AS470	Spacer (Box Side) for 49081	28